

# Si53258/Si53254 データシート

## 4/8 出力 PCIe Gen1/2/3/4/5 クロック・バッファ

Si53258/54 は、PCIe Gen1/2/3/4/5 の共通クロックまたは SRIS アプリケーション向けの車載用 PCI Express ファンアウト・バッファです。本製品は、業界で最高の性能と低消費電力を実現しています。Si53258 および Si53254 は、それぞれ 8 および 4 つの 100 MHz PCIe 差動クロック出力を生成します。すべてのクロック出力は、PCIe Gen1/2/3/4/5 の共通クロックおよび個別の基準クロックのアーキテクチャ仕様に準拠しています。

ハードウェア制御ピンを使用して、出力の有効化と無効化、およびデュアル入力機能を含むデバイスの入力選択が可能です。

PCI Express、Silicon Labs の完全な PCIe ポートフォリオ、アプリケーション・ノート、および PCI-Express 準拠の Silicon Labs PCIe クロック・ジッタ・ツールを含む設計ツールの詳細については、Silicon Labs の PCI Express 学習センターをご覧ください。

### アプリケーション：

- ・ インフォテインメント
- ・ ADAS ECU
- ・ レーダー・センサー
- ・ LiDar センサー

### 主な機能

- ・ 内部終端による 8/4 出力
- ・ PCIe Gen1/2/3/4/5 準拠
- ・ 車載グレード 2 : -40 ~ +105 °C
- ・ 内部 100 Ω または 85 Ω ライン・マッチング
- ・ 優れた付加ジッタ性能
  - ・ 0.05 ps RMS (Gen 3/4)
  - ・ 0.025 ps RMS (Gen 5)
- ・ スペクトラム拡散トレラントにより拡散入力クロックをパス・スルーして EMI を低減
- ・ 出カインーブルのための個別のハードウェア制御ピン
- ・ MUX によるオプションのデュアル入力機能
- ・ 1.8 ~ 3.3 V 電源
- ・ 鉛フリー対応、RoHS-6 準拠

# Table of Contents

<b>1. Features List</b>	<b>3</b>
<b>2. Ordering Guide</b>	<b>4</b>
<b>3. Functional Description</b>	<b>5</b>
3.1 Functional Block Diagrams	5
3.1.1 Si53258A-D01AM Functional Block Diagram	5
3.1.2 Si53254A-D01AM Functional Block Diagram	5
3.1.3 Si53258A-D02AM Functional Block Diagram	6
3.1.4 Si53254A-D02AM Functional Block Diagram	6
3.2 HCSL Differential Output Terminations	7
3.3 Output Enable/Disable	7
3.4 Loss of Signal (LOS)	7
<b>4. Power Supply Filtering Recommendations</b>	<b>8</b>
<b>5. Electrical Specifications</b>	<b>9</b>
<b>6. Pin Descriptions</b>	<b>16</b>
6.1 Si53258A-D01AM Pin Descriptions (40-QFN)	16
6.2 Si53258A-D02AM Pin Descriptions (40-QFN)	20
6.3 Si53254A-D01AM Pin Descriptions (32-QFN)	24
6.4 Si53254A-D02AM Pin Descriptions (40-QFN)	27
<b>7. Package Outline</b>	<b>31</b>
7.1 6x6 mm 40-QFN Package Diagram	31
7.2 5x5 mm 32-QFN Package Diagram	33
<b>8. PCB Land Pattern</b>	<b>35</b>
8.1 40-QFN Land Pattern	35
8.2 32-QFN Land Pattern	37
<b>9. Top Marking</b>	<b>39</b>
<b>10. Document Change List</b>	<b>40</b>

## 第 1 章 機能リスト

- ・ 内部終端による 8/4 出力
- ・ PCIe Gen1/2/3/4/5 準拠
- ・ 車載グレード 2 : -40 ~ +105 °C
- ・ 内部 100 Ω または 85 Ω ライン・マッチング
- ・ 優れた付加ジッタ性能
  - ・ 0.05 ps RMS (Gen 3/4)
  - ・ 0.025 ps RMS (Gen 5)
- ・ スペクトラム拡散トレラントにより拡散入カクロックをパス・スルーして EMI を低減
- ・ 出カインープルのための個別のハードウェア制御ピン
- ・ MUX によるオプションのデュアル入力機能
- ・ 1.8 ~ 3.3 V 電源
- ・ 鉛フリー対応、RoHS-6 準拠

## 2. Ordering Guide

Number of Outputs	Number of Inputs	Part Number	Package Type	Temperature
8	1	Si53258A-D01AM	40-QFN	Automotive, -40 to 105 °C
		Si53258A-D01AMR	40-QFN, Tape and Reel	
	2	Si53258A-D02AM	40-QFN	
		Si53258A-D02AMR	40-QFN, Tape and Reel	
4	1	Si53254A-D01AM	32-QFN	
		Si53254A-D01AMR	32-QFN, Tape and Reel	
	2	Si53254A-D02AM	40-QFN	
		Si53254A-D02AMR	40-QFN, Tape and Reel	

### 3. Functional Description

#### 3.1 Functional Block Diagrams

##### 3.1.1 Si53258A-D01AM Functional Block Diagram

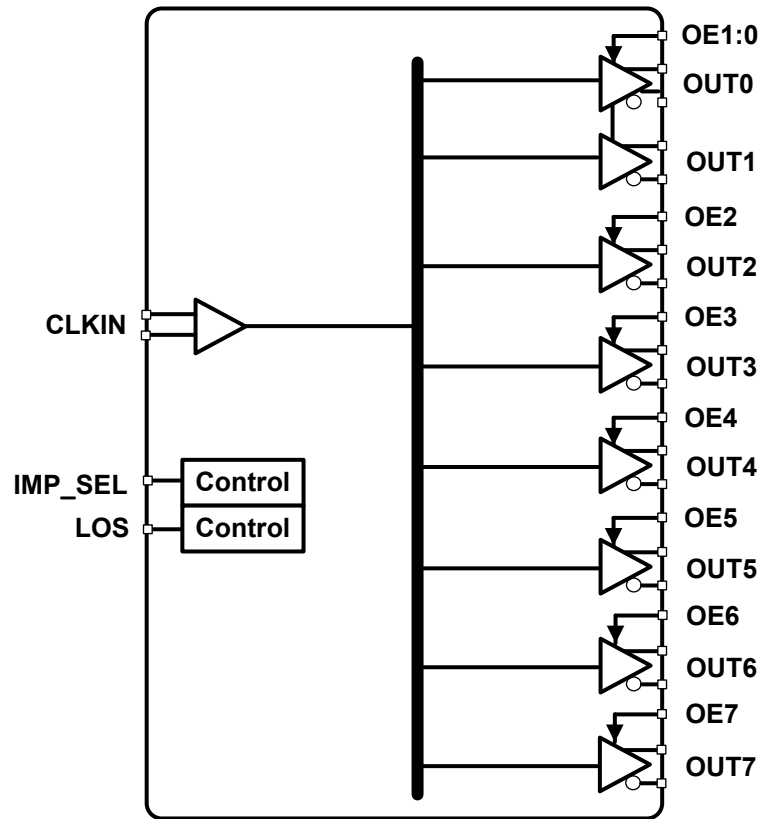


Figure 3.1. Si53258A-D01AM Functional Block Diagram

##### 3.1.2 Si53254A-D01AM Functional Block Diagram

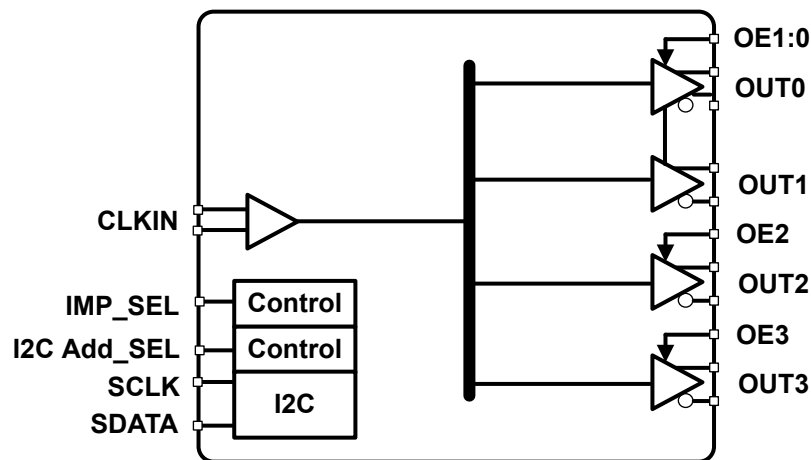


Figure 3.2. Si53254A-D01AM Functional Block Diagram

3.1.3 Si53258A-D02AM Functional Block Diagram

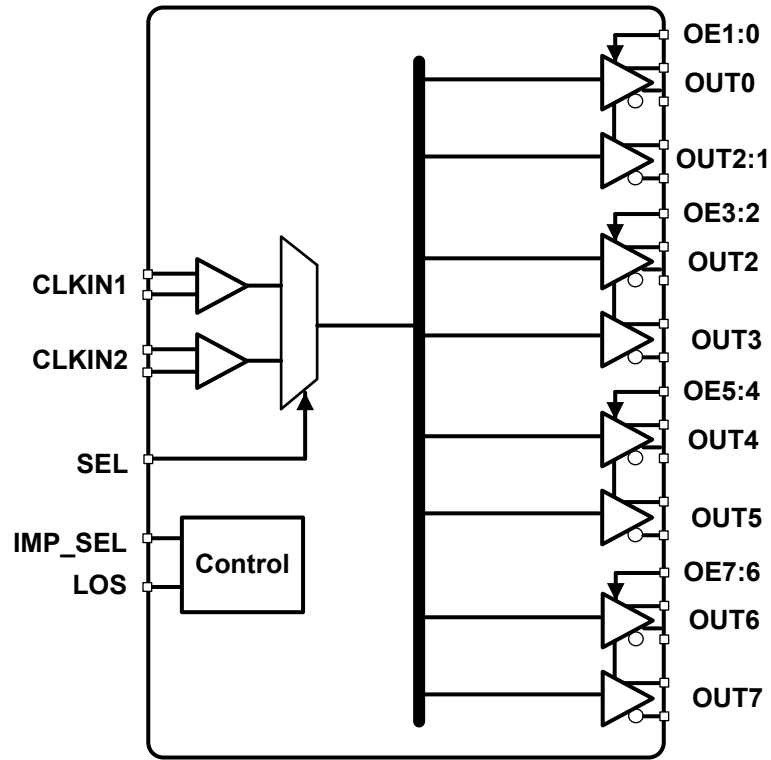


Figure 3.3. Si53258A-D02AM Functional Block Diagram

3.1.4 Si53254A-D02AM Functional Block Diagram

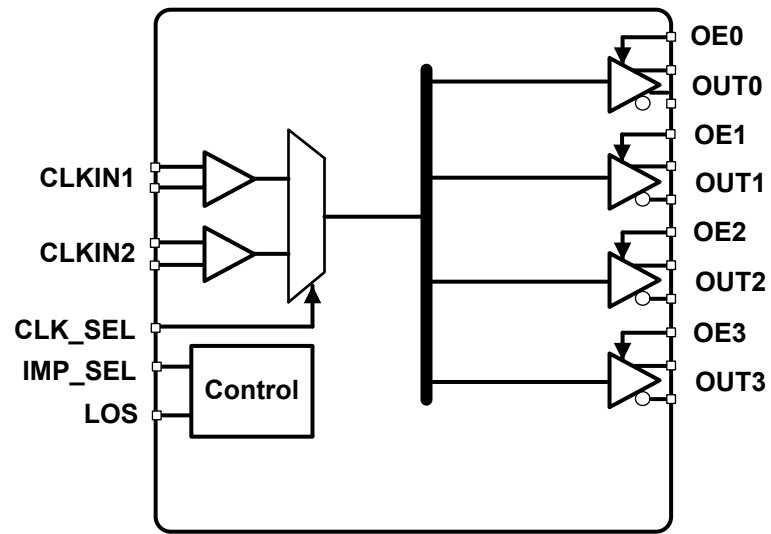


Figure 3.4. Si53254A-D02AM Functional Block Diagram

### 3.2 HCSL Differential Output Terminations

#### Termination for HCSL Outputs

The Si52254/8 HCSL driver features integrated termination resistors to simplify interfacing to an HCSL receiver. The HCSL driver supports both 100  $\Omega$  and 85  $\Omega$  transmission line options, and can be selected using the IMP\_SEL hardware input pin.

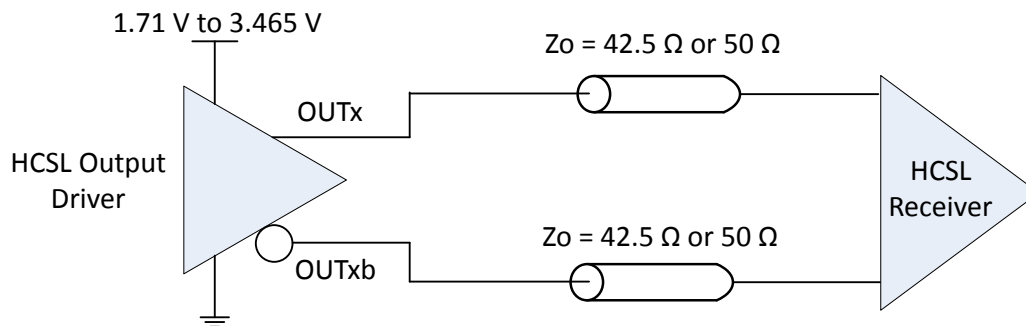


Figure 3.5. HCSL Internal Termination Mode

#### 3.3 Output Enable/Disable

An output enable pin provides a convenient method of disabling or enabling the output drivers. When the output enable pin is held high, all designated outputs will be disabled. When held low, the designated outputs will be enabled.

#### 3.4 Loss of Signal (LOS)

The LOS indicator is used to check for the presence of an input reference source (crystal or clock). LOS will assert when the reference source frequency drops below 10 MHz.

The LOS pin must be checked prior to selecting the clock input or should be polled to check for the presence of the currently selected input clock. In the event that a reference source is not present, the associated LOS pin will assume a logic low (LOS = 0) state. When a reference source is present at the associated input clock pin, the LOS pin will assume a logic high (LOS = 1) state.

#### 4. Power Supply Filtering Recommendations

The Si53258/4 features internal LDOs on each power supply pin, providing excellent power supply noise rejection. As a guideline, each power supply pin should use a parallel combination of a 1  $\mu\text{f}$  and a 0.1  $\mu\text{F}$  bypass capacitor placed as close to the supply pin as possible.



## 5. Electrical Specifications

**Table 5.1. Recommended Operating Conditions**

( $V_{DD} = V_{DDA} = V_{DD\_DIG} = V_{DD\_XTAL} = 1.8\text{ V to }3.3\text{ V }+5\%/-5\%$ ,  $V_{DDO} = 1.8\text{ V } \pm 5\%$ ,  $2.5\text{ V } \pm 5\%$ , or  $3.3\text{ V } \pm 5\%$ ,  $T_A = -40\text{ to }105\text{ }^\circ\text{C}$ )

Parameter	Symbol	Test Condition	Min	Typ	Max	Units
Ambient Temperature	$T_A$		-40	25	105	$^\circ\text{C}$
Junction Temperature	$T_{JMAX}$		—	—	125	$^\circ\text{C}$
Core Supply Voltage	$V_{DDA}$ , $V_{DD\_DIG}$ , $V_{DD\_xtal}$		1.71	—	3.46	V
Output Driver Supply Voltage	$V_{DDO}$		1.42 <sup>2</sup>	—	3.46	V

**Note:**

1. All minimum and maximum specifications are guaranteed and apply across the recommended operating conditions. Typical values apply at nominal supply voltages and an operating temperature of  $25\text{ }^\circ\text{C}$  unless otherwise noted.
2. LVCMOS outputs only.

**Table 5.2. DC Characteristics**

( $V_{DD} = V_{DDA} = V_{DD\_DIG} = V_{DD\_XTAL} = 1.8\text{ V to }3.3\text{ V }+5\%/-5\%$ ,  $V_{DDO} = 1.8\text{ V } \pm 5\%$ ,  $2.5\text{ V } \pm 5\%$ , or  $3.3\text{ V } \pm 5\%$ ,  $T_A = -40\text{ to }105\text{ }^\circ\text{C}$ )

Parameter	Symbol	Test Condition	Min	Typ	Max	Units
Core Supply Current	$I_{DD}$		—	11	18	mA
Output Buffer Supply Current	$I_{DDOx}$	HCSL Output <sup>1</sup> @ 100 MHz	—	20	22	mA
Total Power Dissipation	$P_d$	40-pin		530	670	mW
		32-pin	—	145	215	mW

**Notes:**

1. Differential outputs terminated into a  $100\ \Omega$  load at  $3.3\text{ V}$ .

**Table 5.3. Clock Input Specifications**(V<sub>DD</sub> = V<sub>DDA</sub> = V<sub>DD\_DIG</sub> = V<sub>DD\_XTAL</sub> = 1.8 V to 3.3 V +5%/-5%, V<sub>DDO</sub> = 1.8 V ±5%, 2.5 V ±5%, or 3.3 V ±5%, T<sub>A</sub> = -40 to 105 °C)

Parameter	Symbol	Test Condition	Min	Typ	Max	Units
<b>Input Clock (AC-coupled Differential Input Clock on CLKIN_2/CLKIN_2# or CLKIN_3/CLKIN_3#)</b>						
Frequency	F <sub>IN</sub>	Differential	—	100	—	MHz
Voltage Swing	V <sub>PP_DIFF</sub> <sup>3</sup>		0.5	—	1.8	V <sub>PP_diff</sub>
Slew Rate	SR/SF	20-80%	0.75	—	—	V/ns
Duty Cycle	DC		40	—	60	%
Input Impedance	R <sub>IN</sub>		10	—	—	kΩ
Input Capacitance	C <sub>IN</sub>		2	3.5	6	pF
<b>Notes:</b>						
1. Imposed for jitter performance.						
2. Rise and fall times can be estimated using the following simplified equation: $tr/tf_{80-20} = ((0.8 - 0.2) * V_{IN\_Vpp\_se}) / SR$ .						
3. V <sub>PP_DIFF</sub> = 2 x V <sub>PP_SINGLE-ENDED</sub>						

**Table 5.4. Differential Clock Output Specifications**(V<sub>DD</sub> = V<sub>DDA</sub> = V<sub>DD\_DIG</sub> = V<sub>DD\_XTAL</sub> = 1.8 V to 3.3 V +5%/-5%, V<sub>DDO</sub> = 1.8 V ±5%, 2.5 V ±5%, or 3.3 V ±5%, T<sub>A</sub> = -40 to 105 °C)

Parameter	Symbol	Test Condition		Min	Typ	Max	Units
Output Frequency	f <sub>OUT</sub>			100			MHz
Duty Cycle	DC			48	—	52	%
Output-Output Skew	T <sub>SK</sub>			—	—	80	ps
Output Voltage Swing	V <sub>SEPP</sub>	HCSL		0.7	0.8	0.9	V <sub>PP</sub>
Common Mode Voltage	V <sub>CM</sub>	HCSL		0.35	0.4	0.45	V
HCSL Edge Rate	Edgr	Notes 8,10,14		1	—	4.5	V/ns
HCSL Delta Tr	D <sub>tr</sub>	Notes 10, 13, 14		—	—	155	ps
HCSL Delta Tf	D <sub>tf</sub>	Notes 10, 13, 14		—	—	155	ps
HCSL Vcross Abs	V <sub>xa</sub>	Notes 7, 9, 10, 13		250	—	550	mV
HCSL Delta Vcross	D <sub>vcrs</sub>	Notes 10, 13		—	—	140	mV
HCSL Vovs	V <sub>ovs</sub>	Notes 10, 13		—	—	V <sub>HIGH</sub> +300	mV
HCSL Vuds	V <sub>uds</sub>	Notes 10, 13		—	—	V <sub>LOW</sub> -300	mV
HCSL Vrng	V <sub>rng</sub>	Notes 10, 13		V <sub>HIGH</sub> -200	—	V <sub>LOW</sub> +200	mV
Rise and Fall Times (20% to 80%)	t <sub>R</sub> /t <sub>F</sub>	HCSL		—	—	420	ps

Parameter	Symbol	Test Condition	Min	Typ	Max	Units
<b>Notes:</b>						
1. For best jitter performance, keep the midpoint differential input slew rate faster than 0.3 V/ns.						
2. For best jitter performance, keep the midpoint input single ended slew rate faster than 1 V/ns.						
3. Input capacitance on crystal pins targets 23 pf each plus 1 pf external trace capacitance to provide 12 pf series equivalent crystal load capacitance.						
4. Measured at crossing point where the instantaneous voltage value of the rising edge of CLK equals the falling edge of CLK#.						
5. Measure taken from differential waveform on a component test board. The edge (slew) rate is measured from -150mV to +150mV on the differential waveform . Scope is set to average because the scope sample clock is making most of the dynamic wiggles along the clock edge Only valid for Rising clock and Falling Clock#. Signal must be monotonic through the Vol to Voh region for Trise and Tfall.						
6. This measurement refers to the total variation from the lowest crossing point to the highest, regardless of which edge is crossing.						
7. Vcross(rel) Min and Max are derived using the following, Vcross(rel) Min = 0.250 + 0.5 (Vhavg - 0.700), Vcross(rel) Max = 0.550 - 0.5 (0.700 – Vhavg).						
8. Measurement taken from Single Ended waveform.						
9. Measurement taken from differential waveform VLow Math function.						
10. Overshoot is defined as the absolute value of the maximum voltage.						
11. Undershoot is defined as the absolute value of the minimum voltage.						
12. The crossing point must meet the absolute and relative crossing point specifications simultaneously.						
13. ΔVcross is defined as the total variation of all crossing voltages of Rising CLOCK and Falling CLOCK#. This is the maximum allowed variance in Vcross for any particular system.						
14. Measured with oscilloscope, averaging off, using min max statistics. Variation is the delta between min and max.						

**Table 5.5. Performance Characteristics**

( $V_{DD} = V_{DDA} = V_{DD\_DIG} = V_{DD\_XTAL} = 1.8\text{ V to }3.3\text{ V }+5\%/-5\%$ ,  $V_{DDO} = 1.8\text{ V } \pm 5\%$ ,  $2.5\text{ V } \pm 5\%$ , or  $3.3\text{ V } \pm 5\%$ ,  $T_A = -40\text{ to }105\text{ }^\circ\text{C}$ )

Parameter	Symbol	Test Condition	Min	Typ	Max	Units
Power Ramp	$t_{VDD}$	0 V to $V_{DDmin}$	0.1	—	10	ms
Clock Stabilization from Power-up	$t_{STABLE}$	Time for clock outputs to appear after POR	—	15	25	ms

**Table 5.6. Additive Phase Jitter Specifications (100 MHz HCSL)**(V<sub>DD</sub> = V<sub>DDA</sub> = V<sub>DD\_DIG</sub> = V<sub>DD\_XTAL</sub> = 1.8 V to 3.3 V +5%/-5%, V<sub>DDO</sub> = 1.8 V ±5%, 2.5 V ±5%, or 3.3 V ±5%, T<sub>A</sub> = -40 to 85 °C)

Parameter	Test Condition	Typ	Max	Units
PCle Gen 1.1	Includes PLL BW 1.5–22 MHz, Peaking = 3 dB, T <sub>d</sub> = 10 ns, F <sub>trk</sub> = 1.5 MHz with BER = 1E-12 <sup>1</sup>	11	19	ps RMS
PCle Gen 2.1	Includes PLL BW 5MHz and 8–16 MHz, Jitter Peaking = 0.01–1 dB and 3 dB, T <sub>d</sub> =12ns, Low Band, F < 1.5 MHz	0.02	0.026	ps RMS
	Includes PLL BW 5 MHz and 8–16 MHz, Jitter Peaking = 0.01–1 dB and 3 dB, T <sub>d</sub> = 12 ns, High Band, 1.5 MHz < F < Nyquist <sup>1</sup>	0.2	0.31	ps RMS
PCle Gen 3.0	Includes PLL BW 2–4 MHz and 5 MHz, Peaking = 0.01–2 dB and 1 dB, T <sub>d</sub> = 12 ns, CDR = 10 MHz <sup>1, 2</sup>	0.06	0.1	ps RMS
PCle Gen 4.0	Includes PLL BW 2–4 MHz and 5 MHz, Peaking = 0.01–2 dB and 1dB, T <sub>d</sub> = 12 ns, CDR = 10 MHz <sup>1, 2</sup>	0.05	0.1	ps RMS
PCle Gen5.0		0.025	0.04	Ps RMS

**Note:**

1. All output clocks 100 MHz HCSL format. Jitter data taken from Clock Jitter Tool v.1.3.
2. Excludes oscilloscope sampling noise.

Table 5.7. Thermal Characteristics

Parameter	Symbol	Test Condition <sup>1</sup>	Value	Units
<b>40 QFN</b>				
Thermal Resistance, Junction to Ambient	$\theta_{JA}$	Still Air	23.1	°C/W
		Air Flow 1 m/s	17.5	
		Air Flow 2 m/s	16.5	
Thermal Resistance, Junction to Case	$\theta_{JC}$		13.4	
Thermal Resistance, Junction to Board	$\theta_{JB}$		8.7	
	$\Psi_{JB}$		8.4	
<b>32 QFN</b>				
Thermal Resistance, Junction to Ambient	$\theta_{JA}$	Still Air	28.4	°C/W
		Air Flow 1 m/s	24	
		Air Flow 2 m/s	23	
Thermal Resistance, Junction to Case	$\theta_{JC}$		15.9	
Thermal Resistance, Junction to Board	$\theta_{JB}$		11.5	
	$\Psi_{JB}$		11.2	
<b>Note:</b>				
1. Based on JEDEC standard 4-layer PCB.				

Table 5.8. Absolute Maximum Ratings<sup>1,2,3</sup>

Parameter	Symbol	Test Condition	Value	Units
Storage Temperature Range	$T_{STG}$		-55 to +150	°C
DC Supply Voltage	$V_{DD}$		-0.5 to 3.8	V
	$V_{DDA}$		-0.5 to 3.8	V
	$V_{DD_{xtal}}$		-0.5 to 3.8	V
	$V_{DDO}$		-0.5 to 3.8	V
Input Voltage Range	$V_I$	XIN/XOUT	-0.3 to 1.3	V
Latch-up Tolerance	LU		JESD78 Compliant	
ESD Tolerance	HBM	100 pF, 1.5 kΩ	2.0	kV
Junction Temperature	$T_{JCT}$		-55 to 125	°C
Soldering Temperature	$T_{PEAK}$		260	°C
Soldering Temperature Time at $T_{PEAK}$	$T_P$		20 to 40	sec

**Notes:**

1. Permanent device damage may occur if the absolute maximum ratings are exceeded. Functional operation should be restricted to the conditions as specified in the operational sections of this data sheet. Exposure to absolute maximum rating conditions for extended periods may affect device reliability.
2. For more packaging information, go to [www.silabs.com/support/quality/pages/RoHSInformation.aspx](http://www.silabs.com/support/quality/pages/RoHSInformation.aspx).
3. The device is compliant with JEDEC J-STD-020.

## 6. Pin Descriptions

### 6.1 Si53258A-D01AM Pin Descriptions (40-QFN)

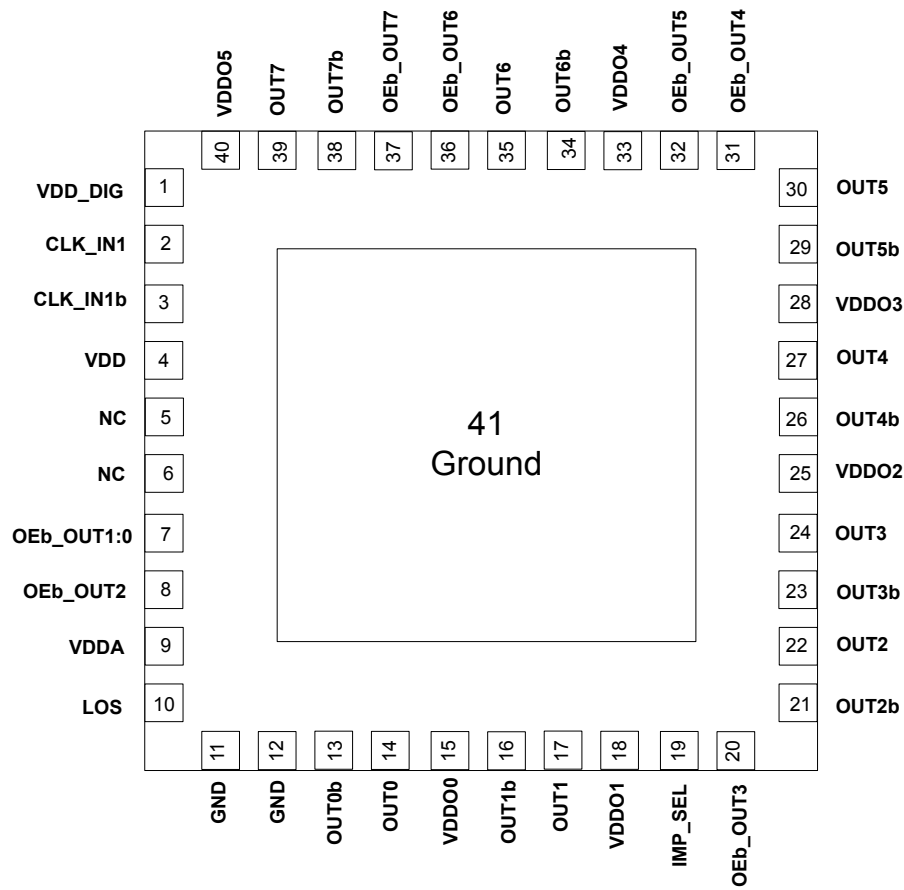


Figure 6.1. Si53258A-D01AM 40-QFN



Table 6.1. Si53258A-D01AM Pin Descriptions (40-QFN)

Pin Number	Pin Name	Pin Type	Function
1	VDD_DIG	P	Voltage supply for digital functions. Connect to 1.8–3.3 V. Part of internal core VDD voltage. Must be connected to same voltage as VDDA and VDD.
2	CLK_IN1	I	100 MHz HCSL Clock1 input. These pins are high-impedance and must be terminated externally. If both the CLK_IN1 and CLK_IN1b inputs are unused and powered down, then both inputs can be left floating.
3	CLK_IN1b	I	
4	VDD	P	Voltage supply. Connect to 1.8–3.3 V. Part of internal core VDD voltage. Must be connected to same voltage as VDDA and VDD_DIG.
5	NC	I	Do not connect these pins to anything.
6	NC	I	
7	OEB_OUT1:0	I	Output enable pin for OUT1 and OUT0. Default low. Low = output enabled High = output disabled
8	OEB_OUT2	I	Output enable pin for OUT2. Default low. Low = output enabled High = output disabled
9	VDDA	P	Core Supply Voltage. Connect to 1.8–3.3 V. Must be connected to same voltage as VDD_DIG and VDD.
10	LOS	O	The LOS status pin indicates whether the reference input has dropped below 10 MHz. LOS is active low, open drain output and requires an external pull-up resistor of 1 to 10 kΩ for proper operation. If LOS is not required, this pin can be left unconnected. 0 = reference input has dropped below 10 MHz 1 = reference input is present (>10 MHz)
11	GND	P	Connect these pins to ground.
12	GND	P	
13	OUT0b	O	<b>Output Clock</b>
14	OUT0	O	100 MHz HCSL output. Termination recommendations are provided in <a href="#">3.2 HCSL Differential Output Terminations</a> . Unused outputs should be left unconnected.
15	VDDO0	P	<b>Supply Voltage (1.8–3.3 V) for OUT0</b> Leave VDDOx pins of unused output drivers unconnected. An alternate option is to connect the VDDOx pin to a power supply and disable the output driver to minimize current consumption.
16	OUT1b	O	<b>Output Clock</b>
17	OUT1	O	100 MHz HCSL output. Termination recommendations are provided in <a href="#">3.2 HCSL Differential Output Terminations</a> . Unused outputs should be left unconnected.
18	VDDO1	P	<b>Supply Voltage (1.8–3.3 V) for OUT1</b> Leave VDDOx pins of unused output drivers unconnected. An alternate option is to connect the VDDOx pin to a power supply and disable the output driver to minimize current consumption.

Pin Number	Pin Name	Pin Type	Function
19	IMP_SEL	I	Impedance select pin for output drivers. Default low. IMP_SEL pin is sampled at power-up only. Low = 100 $\Omega$ High = 85 $\Omega$
20	OEb_OUT3	I	Output enable pin for OUT3. Default low. Low = output enabled High = output disabled
21	OUT2b	O	<b>Output Clock</b>
22	OUT2	O	100 MHz HCSL output. Termination recommendations are provided in <a href="#">3.2 HCSL Differential Output Terminations</a> . Unused outputs should be left unconnected.
23	OUT3b	O	<b>Output Clock</b>
24	OUT3	O	Termination recommendations are provided in <a href="#">3.2 HCSL Differential Output Terminations</a> . Unused outputs should be left unconnected.
25	VDDO2	P	<b>Supply Voltage (1.8–3.3 V) for OUT2 and OUT3</b> Leave VDDOx pins of unused output drivers unconnected. An alternate option is to connect the VDDOx pin to a power supply and disable the output driver to minimize current consumption.
26	OUT4b	O	<b>Output Clock</b>
27	OUT4	O	100 MHz HCSL output. Termination recommendations are provided in <a href="#">3.2 HCSL Differential Output Terminations</a> . Unused outputs should be left unconnected.
28	VDDO3	P	<b>Supply Voltage (1.8–3.3 V) for OUT4 and OUT5</b> Leave VDDOx pins of unused output drivers unconnected. An alternate option is to connect the VDDOx pin to a power supply and disable the output driver to minimize current consumption.
29	OUT5b	O	<b>Output Clock</b>
30	OUT5	O	100 MHz HCSL output. Termination recommendations are provided in <a href="#">3.2 HCSL Differential Output Terminations</a> . Unused outputs should be left unconnected.
31	OEb_OUT4	I	Output enable pin for OUT4. Default low. Low = output enabled High = output disabled
32	OEb_OUT5	I	Output enable pin for OUT5. Default low. Low = output enabled High = output disabled
33	VDDO4	P	<b>Supply Voltage (1.8–3.3 V) for OUT6</b> Leave VDDOx pins of unused output drivers unconnected. An alternate option is to connect the VDDOx pin to a power supply and disable the output driver to minimize current consumption.

Pin Number	Pin Name	Pin Type	Function
34	OUT6b	O	<b>Output Clock</b>
35	OUT6	O	100 MHz HCSL output. Termination recommendations are provided in <a href="#">3.2 HCSL Differential Output Terminations</a> . Unused outputs should be left unconnected.
36	OEB_OUT6	I	Output enable pin for OUT6. Default low. Low = output enabled High = output disabled
37	OEB_OUT7	I	Output enable pin for OUT7. Default low. Low = output enabled High = output disabled
38	OUT7b	O	<b>Output Clock</b>
39	OUT7	O	100 MHz HCSL output. Termination recommendations are provided in <a href="#">3.2 HCSL Differential Output Terminations</a> . Unused outputs should be left unconnected.
40	VDDO5	P	<b>Supply Voltage (1.8–3.3 V) for OUT7</b> Leave VDDOx pins of unused output drivers unconnected. An alternate option is to connect the VDDOx pin to a power supply and disable the output driver to minimize current consumption.
41	GND PAD	P	<b>Ground Pad</b> This pad provides electrical and thermal connection to ground and must be connected for proper operation.

6.2 Si53258A-D02AM Pin Descriptions (40-QFN)

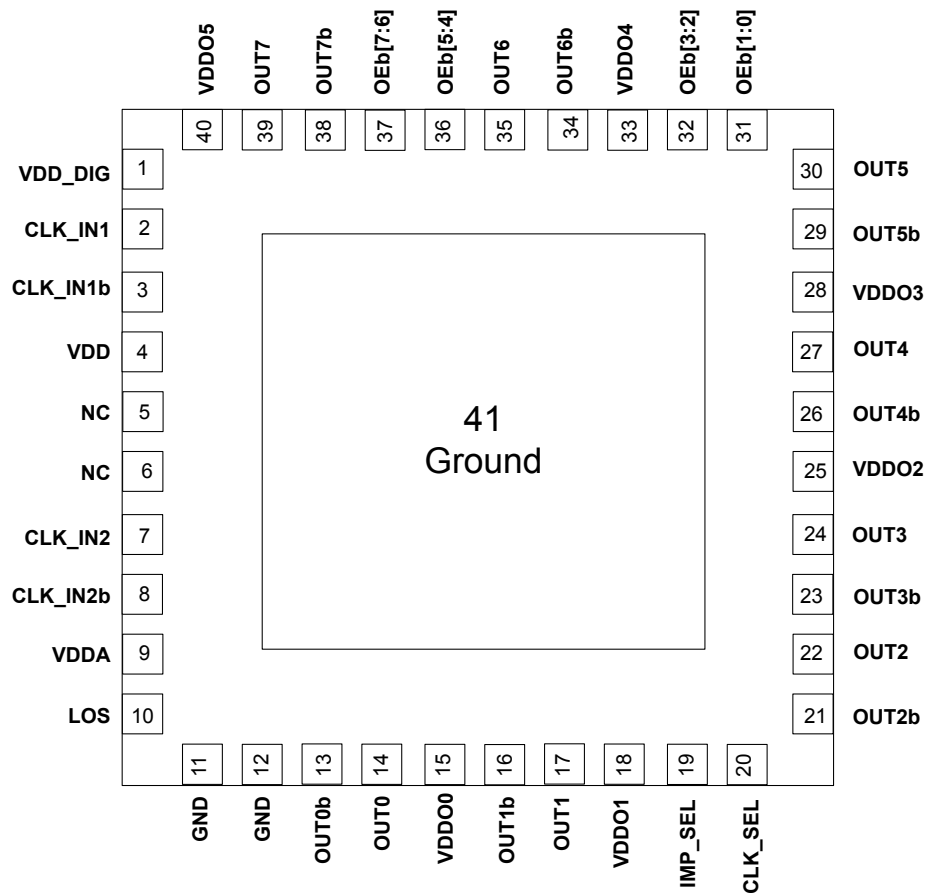


Figure 6.2. Si53258A-D02-AM 40-QFN

Table 6.2. Si53258A-D02AM Pin Descriptions (40-QFN)

Pin Number	Pin Name	Pin Type	Function
1	VDD_DIG	P	Voltage supply for digital functions. Connect to 1.8–3.3 V. Part of internal core VDD voltage. Must be connected to same voltage as VDDA.
2	CLK_IN1	I	100 MHz HCSL Clock1 input. These pins are high-impedance and must be terminated externally. If both the CLK_IN1 and CLK_IN1b inputs are unused and powered down, then both inputs can be left floating.
3	CLK_IN1b	I	
4	VDD	P	Voltage supply. Connect to 1.8–3.3 V. Part of internal core VDD voltage. Must be connected to same voltage as VDDA and VDD_DIG.
5	NC	I	Do not connect these pins to anything.
6	NC	I	
7	CLK_IN2	I	100 MHz HCSL Clock2 input. These pins are high-impedance and must be terminated externally. If both the CLK_IN2 and CLK_IN2b inputs are unused and powered down, then both inputs can be left floating.
8	CLK_IN2b	I	
9	VDDA	P	Core Supply Voltage. Connect to 1.8–3.3 V. Must be connected to same voltage as VDD_DIG and VDD.
10	LOS	O	The LOS status pin indicates whether the reference input has dropped below 10 MHz. LOS is active low, open drain output and requires an external pull-up resistor of 1 to 10 k $\Omega$ for proper operation. If LOS is not required, this pin can be left unconnected.  0 = reference input has dropped below 10 MHz 1 = reference input is present (>10 MHz)
11	GND	P	Connect this pin to ground.
12	GND	P	Connect this pin to ground.
13	OUT0b	O	<b>Output Clock</b>
14	OUT0	O	100 MHz HCSL output. Termination recommendations are provided in <a href="#">3.2 HCSL Differential Output Terminations</a> . Unused outputs should be left unconnected.
15	VDDO0	P	<b>Supply Voltage (1.8–3.3 V) for OUT0</b> Leave VDDOx pins of unused output drivers unconnected. An alternate option is to connect the VDDOx pin to a power supply and disable the output driver to minimize current consumption.
16	OUT1b	O	<b>Output Clock</b>
17	OUT1	O	100 MHz HCSL output. Termination recommendations are provided in <a href="#">3.2 HCSL Differential Output Terminations</a> . Unused outputs should be left unconnected.
18	VDDO1	P	<b>Supply Voltage (1.8–3.3 V) for OUT1</b> Leave VDDOx pins of unused output drivers unconnected. An alternate option is to connect the VDDOx pin to a power supply and disable the output driver to minimize current consumption.
19	IMP_SEL	I	Impedance select pin for output drivers. Default low. IMP_SEL pin is sampled at power-up only.  Low = 100 $\Omega$ High = 85 $\Omega$

Pin Number	Pin Name	Pin Type	Function
20	CLK_SEL	I	Input clock select. Low = CLK_IN1 High = CLK_IN2
21	OUT2b	O	<b>Output Clock</b>
22	OUT2	O	100 MHz HCSL output. Termination recommendations are provided in <a href="#">3.2 HCSL Differential Output Terminations</a> . Unused outputs should be left unconnected.
23	OUT3b	O	<b>Output Clock</b>
24	OUT3	O	Termination recommendations are provided in <a href="#">3.2 HCSL Differential Output Terminations</a> . Unused outputs should be left unconnected.
25	VDDO2	P	<b>Supply Voltage (1.8–3.3 V) for OUT2 and OUT3</b> Leave VDDOx pins of unused output drivers unconnected. An alternate option is to connect the VDDOx pin to a power supply and disable the output driver to minimize current consumption.
26	OUT4b	O	<b>Output Clock</b>
27	OUT4	O	100 MHz HCSL output. Termination recommendations are provided in <a href="#">3.2 HCSL Differential Output Terminations</a> . Unused outputs should be left unconnected.
28	VDDO3	P	<b>Supply Voltage (1.8–3.3 V) for OUT4 and OUT5</b> Leave VDDOx pins of unused output drivers unconnected. An alternate option is to connect the VDDOx pin to a power supply and disable the output driver to minimize current consumption.
29	OUT5b	O	<b>Output Clock</b>
30	OUT5	O	100 MHz HCSL output. Termination recommendations are provided in <a href="#">3.2 HCSL Differential Output Terminations</a> . Unused outputs should be left unconnected.
31	OEB[1:0]	I	Output enable pin for OUT1 and OUT0. Default low. Low = output enabled High = output disabled
32	OEB[3:2]	I	Output enable pin for OUT2 and OUT3. Default low. Low = output enabled High = output disabled
33	VDDO4	P	<b>Supply Voltage (1.8–3.3 V) for OUT6</b> Leave VDDOx pins of unused output drivers unconnected. An alternate option is to connect the VDDOx pin to a power supply and disable the output driver to minimize current consumption.
34	OUT6b	O	<b>Output Clock</b>
35	OUT6	O	100 MHz HCSL output. Termination recommendations are provided in <a href="#">3.2 HCSL Differential Output Terminations</a> . Unused outputs should be left unconnected.
36	OEB[5:4]	I	Output enable pin for OUT1 and OUT0. Default low. Low = output enabled High = output disabled

Pin Number	Pin Name	Pin Type	Function
37	OEb[7:6]	I	Output enable pin for OUT6 and OUT7. Default low. Low = output enabled High = output disabled
38	OUT7b	O	<b>Output Clock</b>
39	OUT7	O	100 MHz HCSL output. Termination recommendations are provided in <a href="#">3.2 HCSL Differential Output Terminations</a> . Unused outputs should be left unconnected.
40	VDDO5	P	<b>Supply Voltage (1.8–3.3 V) for OUT7</b> Leave VDDOx pins of unused output drivers unconnected. An alternate option is to connect the VDDOx pin to a power supply and disable the output driver to minimize current consumption.
41	GND PAD	P	<b>Ground Pad</b> This pad provides electrical and thermal connection to ground and must be connected for proper operation.

## 6.3 Si53254A-D01AM Pin Descriptions (32-QFN)

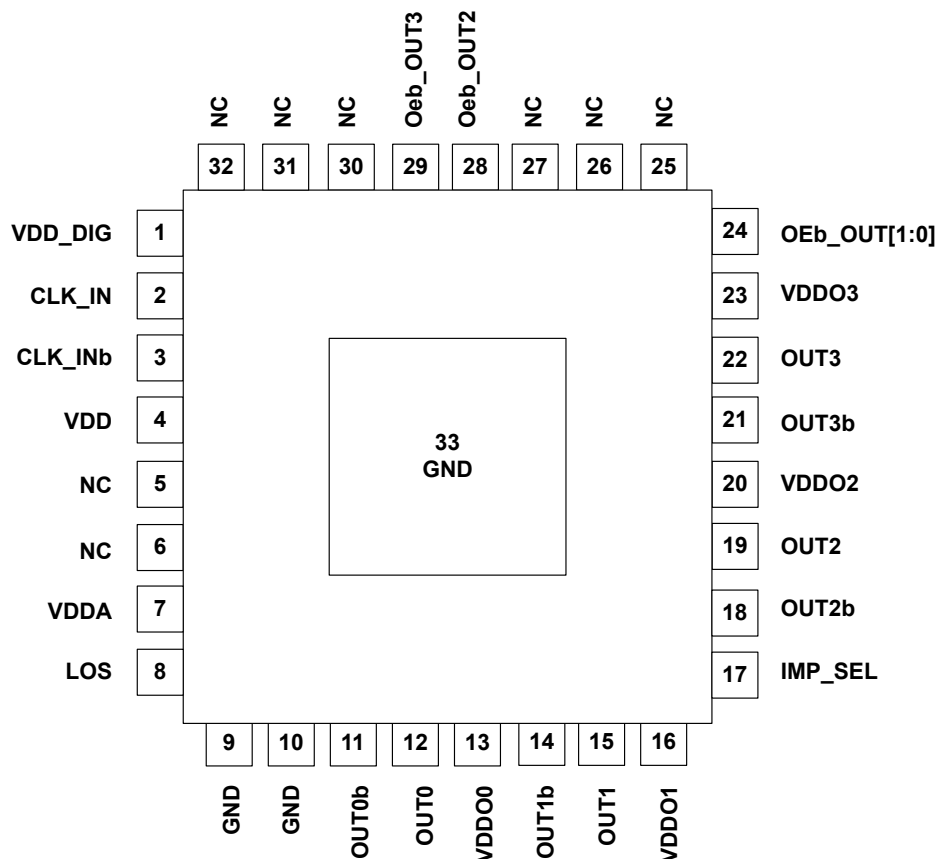


Figure 6.3. Si53254A-D01AM 32-QFN

Table 6.3. Si53254A-D01AM Pin Descriptions, (32-QFN)

Pin Number	Pin Name	Pin Type	Function
1	VDD_DIG	P	Voltage supply for digital functions. Connect to 1.8–3.3 V. Part of internal core VDD voltage. Must be connected to same voltage as VDDA and VDD.
2	CLK_IN	I	100 MHz HCSL Clock Input
3	CLK_INb	I	These pins are high-impedance and must be terminated externally.
4	VDD		Voltage supply. Connect to 1.8–3.3 V. Part of internal core VDD voltage. Must be connected to same voltage as VDDA and VDD_DIG.
5	NC	—	Do not connect these pins to anything.
6	NC	—	
7	VDDA	P	Core Supply Voltage. Connect to 1.8–3.3 V. See the <a href="#">Si5332-AM1/2/3 Family Reference Manual</a> for power supply filtering recommendations. Must be connected to same voltage as VDD_DIG and VDD.



Pin Number	Pin Name	Pin Type	Function
8	LOS	O	The LOS status pin indicates whether the reference clock input is above 10 MHz. LOS is active low, open drain output and requires an external pull-up resistor of 1 to 10 k $\Omega$ for proper operation. If LOS is not required, this pin can be left unconnected.  0 = reference input has dropped below 10 MHz 1 = reference present (>10 MHz)
9	GND	P	Connect these pins to ground.
10	GND	P	
11	OUT0b	O	<b>Output Clock</b>
12	OUT0	O	100 MHz HCSL output. Termination recommendations are provided in <a href="#">3.2 HCSL Differential Output Terminations</a> . Unused outputs should be left unconnected.
13	VDDO0	P	<b>Supply Voltage (1.8–3.3 V) for OUT0</b>  See the <a href="#">Si5332-AM1/2/3 Family Reference Manual</a> for power supply filtering recommendations.  Leave VDDOx pins of unused output drivers unconnected. An alternate option is to connect the VDDOx pin to a power supply and disable the output driver to minimize current consumption.
14	OUT1b	O	<b>Output Clock</b>
15	OUT1	O	100 MHz HCSL output. Termination recommendations are provided in <a href="#">3.2 HCSL Differential Output Terminations</a> . Unused outputs should be left unconnected.
16	VDDO1	P	<b>Supply Voltage (1.8–3.3 V) for OUT1</b>  Leave VDDOx pins of unused output drivers unconnected. An alternate option is to connect the VDDOx pin to a power supply and disable the output driver to minimize current consumption.
17	IMP_SEL	I	Impedance select pin for output drivers. Default low. IMP_SEL pin is sampled at power-up only.  Low = 100 $\Omega$  High = 85 $\Omega$
18	OUT2b	O	<b>Output Clock</b>
19	OUT2	O	100 MHz HCSL output. Termination recommendations are provided in <a href="#">3.2 HCSL Differential Output Terminations</a> . Unused outputs should be left unconnected.
20	VDDO2	P	<b>Supply Voltage (1.8–3.3 V) for OUT2</b>  Leave VDDOx pins of unused output drivers unconnected. An alternate option is to connect the VDDOx pin to a power supply and disable the output driver to minimize current consumption.
21	OUT3b	O	<b>Output Clock</b>
22	OUT3	O	100 MHz HCSL output. Termination recommendations are provided in <a href="#">3.2 HCSL Differential Output Terminations</a> . Unused outputs should be left unconnected.
23	VDDO3	P	<b>Supply Voltage (1.8–3.3 V) for OUT3</b>  Leave VDDOx pins of unused output drivers unconnected. An alternate option is to connect the VDDOx pin to a power supply and disable the output driver to minimize current consumption.

Pin Number	Pin Name	Pin Type	Function
24	OEb_OUT[1:0]	I	Output enable for OUT1 and OUT0. Default low. Low = output enabled High = output disabled
25	NC	—	Do not connect these pins to anything.
26	NC	—	
27	NC	—	
28	OEb_OUT2	I	Output enable for OUT2. Default low. Low = output enabled High = output disabled
29	OEb_OUT3	I	Output enable for OUT3. Default low. Low = output enabled High = output disabled
30	NC	—	Do not connect these pins to anything.
31	NC	—	
32	NC	—	
33	GND PAD	P	<b>Ground Pad</b> This pad provides electrical and thermal connection to ground and must be connected for proper operation.

6.4 Si53254A-D02AM Pin Descriptions (40-QFN)

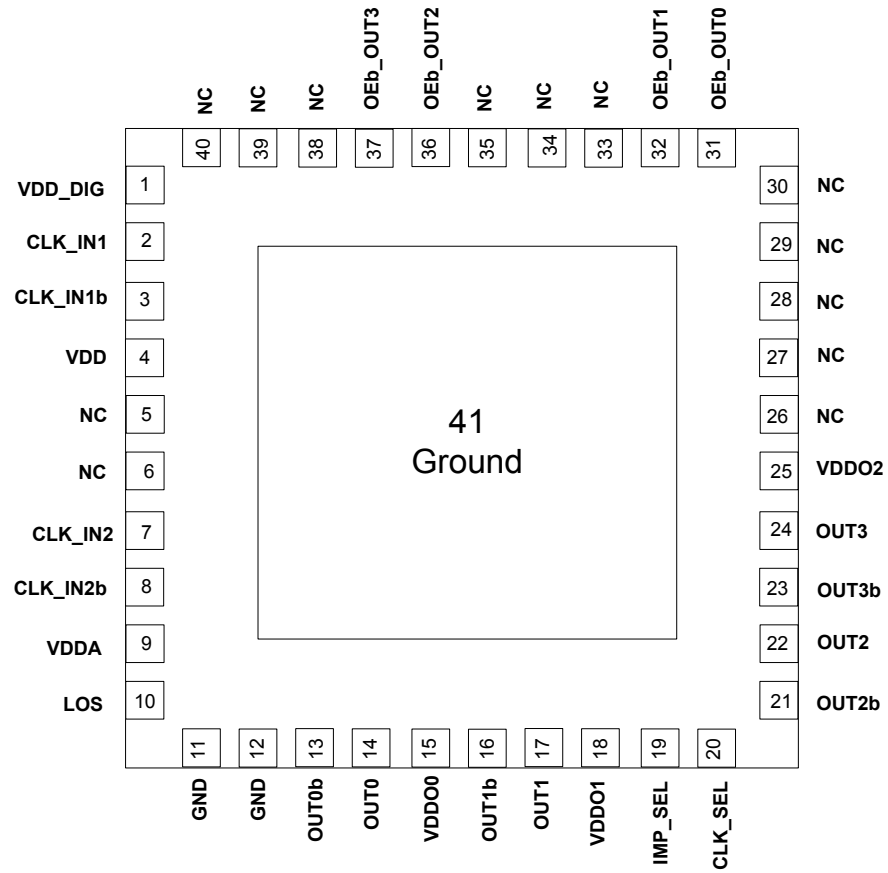


Figure 6.4. Si53254A-D02AM 40-QFN

Table 6.4. Si53254A-D02AM Pin Descriptions (40-QFN)

Pin Number	Pin Name	Pin Type	Function
1	VDD_DIG	P	Voltage supply for digital functions. Connect to 1.8–3.3 V. Part of internal core VDD voltage. Must be connected to same voltage as VDDA and VDD.
2	CLK_IN	I	100MHz HCSL clock input. These pins are high-impedance and must be terminated externally.
3	CLK_INb	I	
4	VDD	P	Voltage supply. Connect to 1.8–3.3 V. Part of internal core VDD voltage. Must be connected to same voltage as VDDA.
5	NC	I	Do not connect these pins to anything.
6	NC	I	
7	CLK_IN2	I	100 MHz HCSL clock input. These pins are high-impedance and terminated externally.
8	CLK_IN2b	I	
9	VDDA	P	Core Supply Voltage. Connect to 1.8–3.3 V. Must be connected to same voltage as VDD_DIG and VDD.
10	LOS	O	The LOS status pin indicates if the reference clock input is above 10 MHz. LOS is active low, open drain output and requires an external pull-up resistor of 1 to 10 k $\Omega$ for proper operation. If LOS is not required, this pin can be left unconnected.  0 = reference input has dropped below 10 MHz 1 = reference present (>10 MHz)
11	GND	P	Connect these pins to ground.
12	GND	P	
13	OUT0b	O	<b>Output Clock</b>
14	OUT0	O	100 MHz HCSL output. Termination recommendations are provided in <a href="#">3.2 HCSL Differential Output Terminations</a> . Unused outputs should be left unconnected.
15	VDDO0	P	<b>Supply Voltage (1.8–3.3 V) for OUT0</b> Leave VDDOx pins of unused output drivers unconnected. An alternate option is to connect the VDDOx pin to a power supply and disable the output driver to minimize current consumption.
16	OUT1b	O	<b>Output Clock</b>
17	OUT1	O	100 MHz HCSL output. Termination recommendations are provided in <a href="#">3.2 HCSL Differential Output Terminations</a> . Unused outputs should be left unconnected.
18	VDDO1	P	<b>Supply Voltage (1.8–3.3 V) for OUT1</b> Leave VDDOx pins of unused output drivers unconnected. An alternate option is to connect the VDDOx pin to a power supply and disable the output driver to minimize current consumption.
19	IMP_SEL	I	Impedance select pin for output drivers. Default low. IMP_SEL pin is sampled at power-up only.  Low = 100 $\Omega$  High = 85 $\Omega$

Pin Number	Pin Name	Pin Type	Function
20	CLK_SEL	I	Mux input select pin: When CLK_SEL is high, CLK_IN1 is selected. When CLK_SEL is low, CLK_IN2 is selected. CLK_SEL contains an internal pull-down resistor.
21	OUT2b	O	<b>Output Clock</b>
22	OUT2	O	100 MHz HCSL output. Termination recommendations are provided in <a href="#">3.2 HCSL Differential Output Terminations</a> . Unused outputs should be left unconnected.
23	OUT3b	O	<b>Output Clock</b>
24	OUT3	O	Termination recommendations are provided in <a href="#">3.2 HCSL Differential Output Terminations</a> . Unused outputs should be left unconnected.
25	VDDO2	P	<b>Supply Voltage (1.8–3.3 V) for OUT2 and OUT3</b> Leave VDDOx pins of unused output drivers unconnected. An alternate option is to connect the VDDOx pin to a power supply and disable the output driver to minimize current consumption.
26	NC	—	Do not connect these pins to anything.
27	NC	—	
28	NC	—	
29	NC	—	
30	NC	—	
31	OEb_OUT0	I	Output enable pin for OUT0. Default high. Low = output enabled High = output disabled
32	OEb_OUT1	I	Output enable pin for OUT1. Default high. Low = output enabled High = output disabled
33	NC	—	Do not connect these pins to anything.
34	NC	—	
35	NC	—	
36	OEb_OUT2	I	Output enable pin for OUT2. Default high. Low = output enabled High = output disabled
37	OEb_OUT3	I	Output enable pin for OUT3. Default high. Low = output enabled High = output disabled
38	NC	—	Do not connect these pins to anything.
39	NC	—	
40	NC	—	

Pin Number	Pin Name	Pin Type	Function
41	GND PAD	P	<b>Ground Pad</b> This pad provides electrical and thermal connection to ground and must be connected for proper operation.

## 7. Package Outline

### 7.1 6x6 mm 40-QFN Package Diagram

The figure below illustrates the package details for 40-QFN. The table below lists the values for the dimensions shown in the illustration.

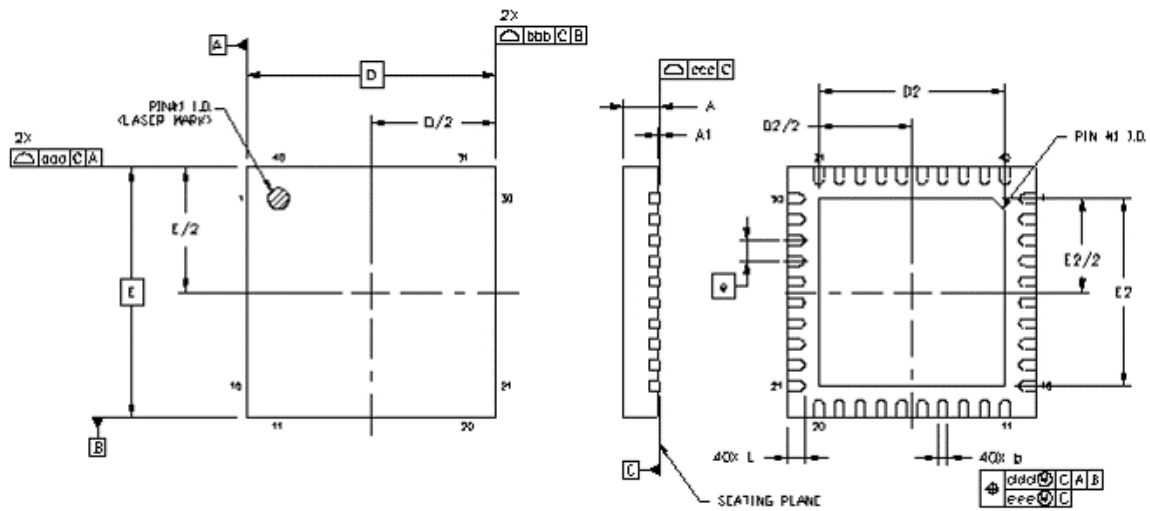


Figure 7.1. 40-Pin Quad Flat No-Lead (QFN)

Table 7.1. Package Dimensions

Dimension	Min	Nom	Max
A	0.80	0.85	0.90
A1	0.00	0.02	0.05
b	0.18	0.25	0.30
D	6.00 BSC		
D2	4.35	4.50	4.65
e	0.50 BSC		
E	6.00 BSC		
E2	4.35	4.50	4.65
L	0.30	0.40	0.50
aaa	—	—	0.15
bbb	—	—	0.15
ccc	—	—	0.08
ddd	—	—	0.10
eee	—	—	0.05

Dimension	Min	Nom	Max
<b>Notes:</b> <ol style="list-style-type: none"><li>1. All dimensions shown are in millimeters (mm) unless otherwise noted.</li><li>2. Dimensioning and Tolerancing per ANSI Y14.5M-1994.</li><li>3. This drawing conforms to the JEDEC Solid State Outline MO-220.</li><li>4. Recommended card reflow profile is per the JEDEC/IPC J-STD-020 specification for Small Body Components.</li></ol>			



### 7.2 5x5 mm 32-QFN Package Diagram

The figure below illustrates the package details for 32-QFN option. The table below lists the values for the dimensions shown in the illustration.

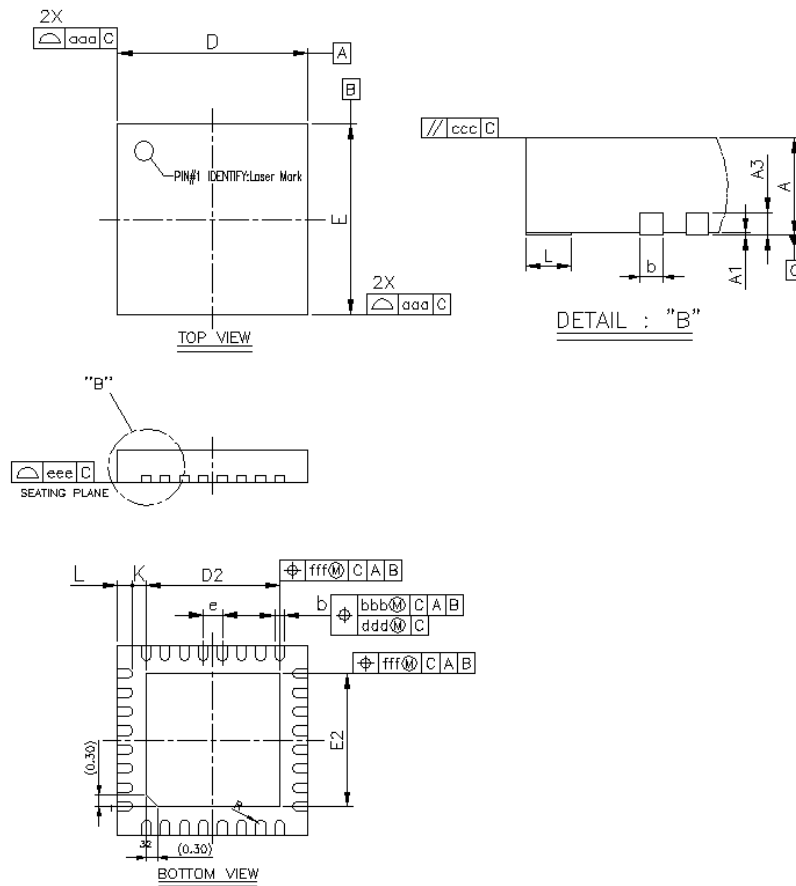


Figure 7.2. 32-Pin Quad Flat No-Lead (QFN)

Table 7.2. Package Dimensions

Dimension	MIN	NOM	MAX
A	0.80	0.85	0.90
A1	0.00	0.02	0.05
A3	0.20 REF		
b	0.18	0.25	0.30
D/E	4.90	5.00	5.10
D2/E2	3.40	3.50	3.60
e	0.50 BSC		
L	0.30	0.40	0.50
K	0.20	---	---
R	0.09	---	0.14
aaa	0.15		
bbb	0.10		
ccc	0.10		

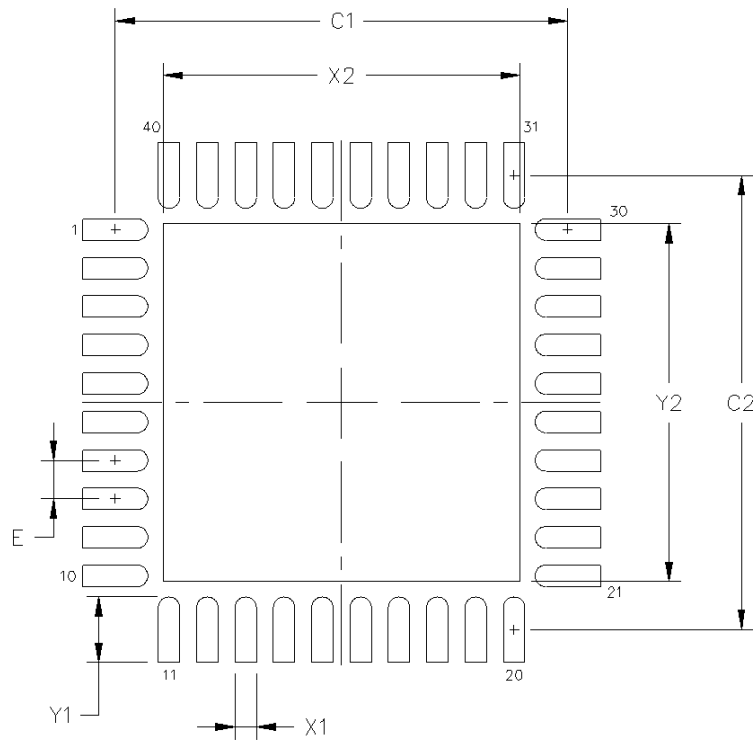
Dimension	MIN	NOM	MAX
ddd		0.05	
eee		0.08	
fff		0.10	

**Notes:**

1. All dimensions shown are in millimeters (mm) unless otherwise noted.
2. Dimensioning and Tolerancing per ANSI Y14.5M-1994.
3. This drawing conforms to the JEDEC Solid State Outline MO-220, Variation VKKD-4.
4. Recommended card reflow profile is per the JEDEC/IPC J-STD-020 specification for Small Body Components.

## 8. PCB Land Pattern

### 8.1 40-QFN Land Pattern



**Figure 8.1. 40-QFN Land Pattern**

**Table 8.1. PCB Land Pattern Dimensions**

Dimension	mm
C1	5.90
C2	5.90
e	0.50 BSC
X1	0.30
Y1	0.85
X2	4.65
Y2	4.65

Dimension	mm
<p><b>Notes:</b></p> <p><b>General</b></p> <ol style="list-style-type: none"><li>1. All dimensions shown are in millimeters (mm) unless otherwise noted.</li><li>2. This Land Pattern Design is based on the IPC-7351 guidelines.</li></ol> <p><b>Solder Mask Design</b></p> <ol style="list-style-type: none"><li>1. All metal pads are to be non-solder mask defined (NSMD). Clearance between the solder mask and the metal pad is to be 60 <math>\mu\text{m}</math> minimum, all the way around the pad.</li></ol> <p><b>Stencil Design</b></p> <ol style="list-style-type: none"><li>1. A stainless steel, laser-cut and electro-polished stencil with trapezoidal walls should be used to assure good solder paste release.</li><li>2. The stencil thickness should be 0.125 mm (5 mils).</li><li>3. The ratio of stencil aperture to land pad size can be 1:1 for all perimeter pads.</li><li>4. A 3<math>\times</math>3 array of 0.85 mm square openings on a 1.00 mm pitch can be used for the center ground pad.</li></ol> <p><b>Card Assembly</b></p> <ol style="list-style-type: none"><li>1. A No-Clean, Type-3 solder paste is recommended.</li><li>2. The recommended card reflow profile is per the JEDEC/IPC J-STD-020 specification for Small Body Components.</li></ol>	

## 8.2 32-QFN Land Pattern

The figure below illustrates the PCB land pattern details for 32-QFN package. The table below lists the values for the dimensions shown in the illustration.

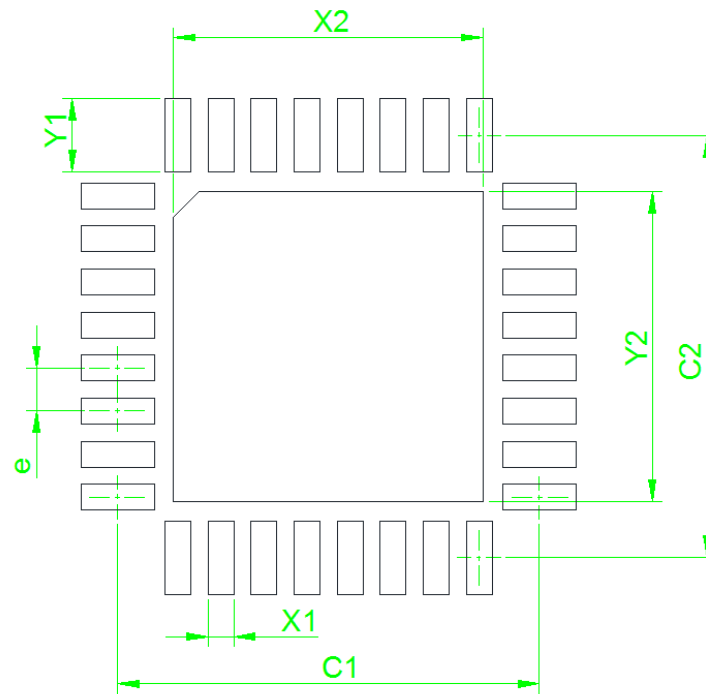


Figure 8.2. 32-QFN Land Pattern

Table 8.2. PCB Land Pattern Dimensions

Dimension	mm
C1	4.90
C2	4.90
e	0.50 BSC
X1	0.30
Y1	0.85
X2	3.60
Y2	3.60

Dimension	mm
<p><b>Notes:</b></p> <p><b>General</b></p> <ol style="list-style-type: none"><li>1. All dimensions shown are in millimeters (mm) unless otherwise noted.</li><li>2. This Land Pattern Design is based on the IPC-7351 guidelines.</li></ol> <p><b>Solder Mask Design</b></p> <ol style="list-style-type: none"><li>1. All metal pads are to be non-solder mask defined (NSMD). Clearance between the solder mask and the metal pad is to be 60 <math>\mu\text{m}</math> minimum, all the way around the pad.</li></ol> <p><b>Stencil Design</b></p> <ol style="list-style-type: none"><li>1. A stainless steel, laser-cut and electro-polished stencil with trapezoidal walls should be used to assure good solder paste release.</li><li>2. The stencil thickness should be 0.125 mm (5 mils).</li><li>3. The ratio of stencil aperture to land pad size can be 1:1 for all perimeter pads.</li><li>4. A 3<math>\times</math>3 array of 0.85 mm square openings on a 1.00 mm pitch can be used for the center ground pad.</li></ol> <p><b>Card Assembly</b></p> <ol style="list-style-type: none"><li>1. A No-Clean, Type-3 solder paste is recommended.</li><li>2. The recommended card reflow profile is per the JEDEC/IPC J-STD-020 specification for Small Body Components.</li></ol>	

## 9. Top Marking

Standard Factory Default Configuration

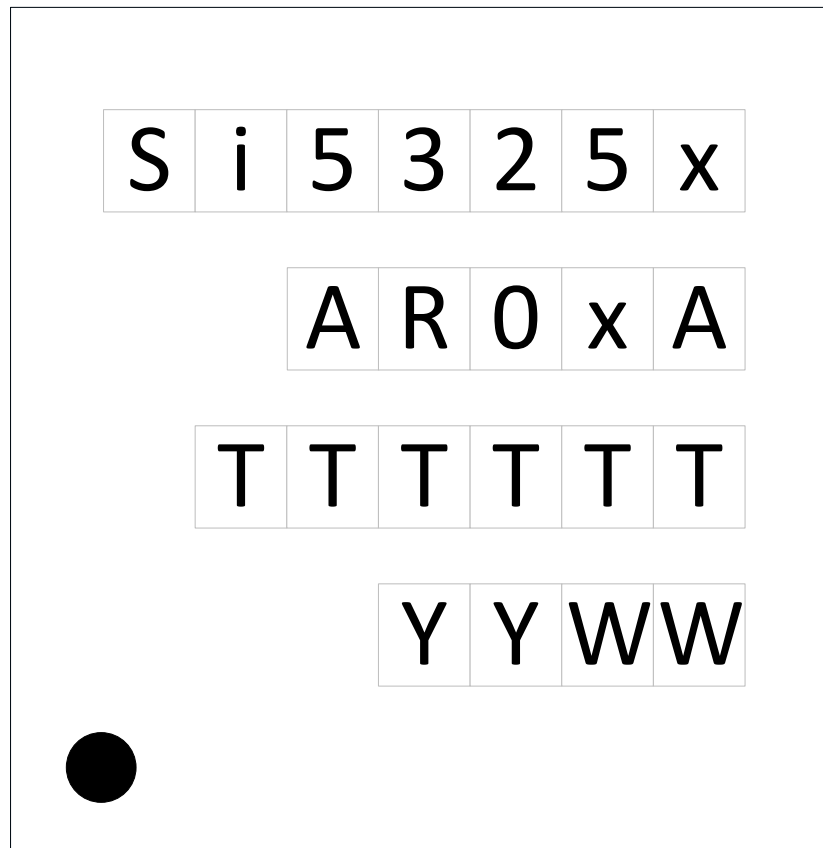


Figure 9.1. Top Marking

Table 9.1. Top Marking Explanation

Line	Characters	Description
1	Si53258 Si53254	Base part number
2	A-D0xA	A = Grade R = Product revision (reference ordering section for latest revision) 0x = Product identification, single input: <ul style="list-style-type: none"> <li>• 01 = Single input</li> <li>• 02 = Dual input</li> </ul> A = Automotive grade temperature range
3	TTTTTT	Manufacturing trace code
4	YYWW	Year (YY) and work week (WW) of package assembly

## 10. Document Change List

### Revision 0.7

September, 2019

- Initial release.





## ClockBuilder Pro

One-click access to Timing tools, documentation, software, source code libraries & more. Available for Windows and iOS (CBGo only).

[www.silabs.com/CBPro](http://www.silabs.com/CBPro)



**Timing Portfolio**  
[www.silabs.com/timing](http://www.silabs.com/timing)



**SW/HW**  
[www.silabs.com/CBPro](http://www.silabs.com/CBPro)



**Quality**  
[www.silabs.com/quality](http://www.silabs.com/quality)



**Support and Community**  
[community.silabs.com](http://community.silabs.com)

### Disclaimer

Silicon Labs intends to provide customers with the latest, accurate, and in-depth documentation of all peripherals and modules available for system and software implementers using or intending to use the Silicon Labs products. Characterization data, available modules and peripherals, memory sizes and memory addresses refer to each specific device, and "Typical" parameters provided can and do vary in different applications. Application examples described herein are for illustrative purposes only. Silicon Labs reserves the right to make changes without further notice to the product information, specifications, and descriptions herein, and does not give warranties as to the accuracy or completeness of the included information. Without prior notification, Silicon Labs may update product firmware during the manufacturing process for security or reliability reasons. Such changes will not alter the specifications or the performance of the product. Silicon Labs shall have no liability for the consequences of use of the information supplied in this document. This document does not imply or expressly grant any license to design or fabricate any integrated circuits. The products are not designed or authorized to be used within any FDA Class III devices, applications for which FDA premarket approval is required or Life Support Systems without the specific written consent of Silicon Labs. A "Life Support System" is any product or system intended to support or sustain life and/or health, which, if it fails, can be reasonably expected to result in significant personal injury or death. Silicon Labs products are not designed or authorized for military applications. Silicon Labs products shall under no circumstances be used in weapons of mass destruction including (but not limited to) nuclear, biological or chemical weapons, or missiles capable of delivering such weapons. Silicon Labs disclaims all express and implied warranties and shall not be responsible or liable for any injuries or damages related to use of a Silicon Labs product in such unauthorized applications.

### Trademark Information

Silicon Laboratories Inc.®, Silicon Laboratories®, Silicon Labs®, SiLabs® and the Silicon Labs logo®, Bluegiga®, Bluegiga Logo®, ClockBuilder®, CMEMS®, DSPLL®, EFM®, EFM32®, EFR®, Ember®, Energy Micro, Energy Micro logo and combinations thereof, "the world's most energy friendly microcontrollers", Ember®, EZLink®, EZRadio®, EZRadioPRO®, Gecko®, Gecko OS, Gecko OS Studio, ISOModem®, Precision32®, ProSLIC®, Simplicity Studio®, SiPHY®, Telegesis, the Telegesis Logo®, USBXpress®, Zentri, the Zentri logo and Zentri DMS, Z-Wave®, and others are trademarks or registered trademarks of Silicon Labs. ARM, CORTEX, Cortex-M3 and THUMB are trademarks or registered trademarks of ARM Holdings. Keil is a registered trademark of ARM Limited. Wi-Fi is a registered trademark of the Wi-Fi Alliance. All other products or brand names mentioned herein are trademarks of their respective holders.



Silicon Laboratories Inc.  
400 West Cesar Chavez  
Austin, TX 78701  
USA

<http://www.silabs.com>